



TIMBRA by GWP
Innovating Nature Building Futures

IG.TT DB US V.06

Installation Guide **Decking Boards**

Disclaimer: Consult your local building codes and municipal authorities to ensure your project complies with all statutory requirements and permitting regulations. Technical drawings and schematics regarding the placement of fasteners are provided for illustrative purposes only.

Safety glasses and respiratory protection must be worn at all times when handling **TIMBRA by GWP** products. Activities such as drilling, sawing, sanding, or machining wood products generate airborne wood dust, which may pose health risks. It is mandatory to utilize personal protective equipment (PPE) in strict accordance with the health and safety legislation and occupational standards applicable to your specific geographic location.

WUI COMPLIANT INSTALLATION: When installing **TIMBRA by GWP** decking in a WUI (Wildland Urban Interface) zone please consult the local building code in your area for a full list of requirements and to ensure your deck is compliant with requirements for ignition-resistant construction in WUI areas. For more information on WUI and requirements please visit fire.ca.gov

timbrawood.com

1.

Storage

Whenever possible, store **TIMBRA by GWP** decking boards indoors. The decking should be kept away from direct sunlight, as UV rays will cause the colour to fade. If stored outside, ensure the boards are elevated at least 6" from the ground, stacked evenly, and covered with a waterproof, light-impermeable cover. Leave the ends of the uncovered to allow ventilation, preventing moisture damage. **TIMBRA by GWP** decking should never be left in the rain or exposed to excess moisture when in its original packaging, as it will not dry properly when tightly packaged. If possible, store the boards at the installation site for a 1 or 2 weeks prior to installation to allow them to acclimatize to the moisture conditions, using a protective cover to prevent moisture damage.

2.

Building a Proper Substructure and Avoiding Moisture Damage

- **IMPORTANT:** Check the boards thoroughly for any manufacturing or moisture defects, as well as transport-related damage, prior to installation. Do not install defective boards.

ONCE INSTALLED, PRODUCTS ARE DEEMED TO HAVE BEEN ACCEPTED IN TERMS OF QUALITY.

Allow for 10 percent wastage when purchasing.

Substructure:

- ↘ **TIMBRA by GWP** decking must be laid on leveled joists.

- We recommend using **TIMBRA by GWP** thermally modified or hardwoods with a minimum density of 750 kg/m³ (46.82 lb/ft³) and minimum natural durability Durability Class I (EN350), with approximate dimensions of 1 1/2" / 1 9/16" / 1 3/4" x 2 3/8" / 2 3/4" / 3", or metal joists, to ensure that your joists last as long as your decking.
- The maximum recommended joist spacing is:
 - 16" for sizes 1×4 to 1×6;
 - 20" for sizes 5/4×4 to 5/4×6;
 - 24" for sizes 2×4 to 2×6;
- When connecting two boards lengthwise, ensure the ends of both boards are laid on separate joists if the width of the joists is less than 2 3/4". Otherwise, the fixings will be too close to the ends of the boards.

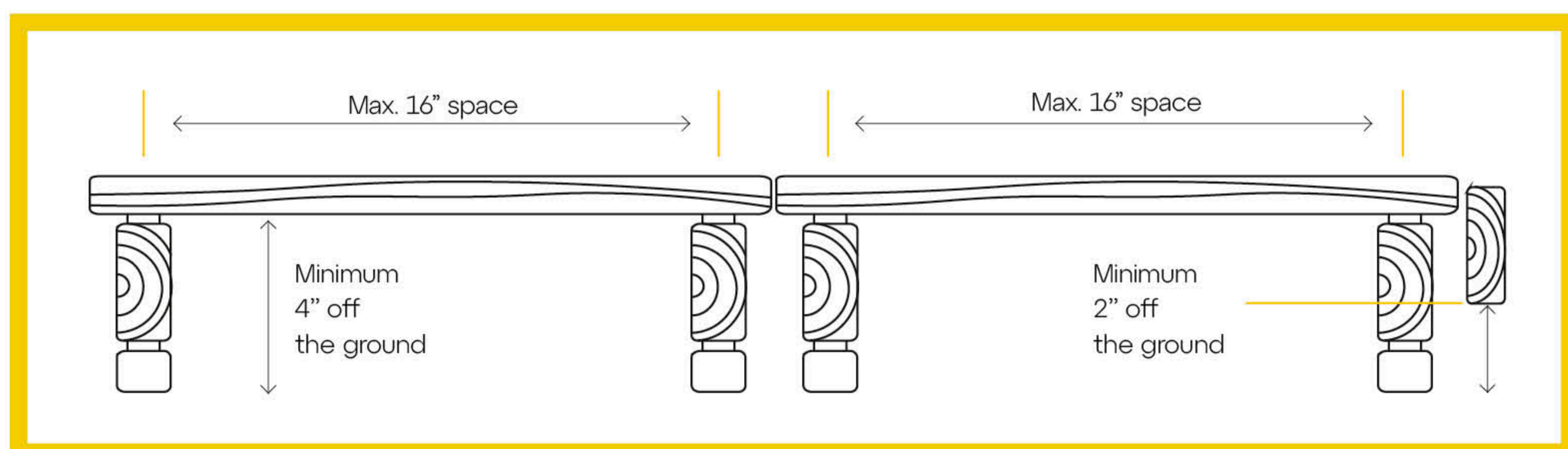


Fig. 01

Avoiding Moisture Damage:

- **TIMBRA by GWP** decking products should not be installed in contact with the ground or a rooftop surface. Ensure there is proper airflow below the decking to avoid trapped moisture.
- Proper drainage is essential to direct water away from the structure. Ensure the ground beneath your decking is at an appropriate angle to prevent water accumulation.
- It is crucial for air to circulate below the decking. Do not allow moisture to be trapped beneath it. Refer to the Deck Ventilation Technical Bulletin for more information.

- Decking boards should be laid at least 4” above the ground. The best practice is to shim the joists to allow for air circulation and drying.
- Wood must not be in direct contact with wood. When installing decking boards with screws, use spacers or distance strips to leave a gap of approximately 0.15”-0.30” between the boards and the joists. This will minimize trapped moisture and prevent mold or fungi development.
- The ends and sides of the **TIMBRA by GWP** decking must be left open to allow air circulation. When using skirting boards, install them with air gaps and leave a space of at least 2” from the ground. When the decking is next to a wall, leave a gap of at least 0.8” between the wall and the decking.
- We recommend covering the top of the joists with UV-resistant decking tape to avoid moisture damage.
- Leave a 0.15” air gap between decking boards up to 4.4” and 0.25” gap for wider boards. Proper air gaps help prevent swelling due to trapped moisture.

Note: The formation of splits and cracks on the surface of the wood and changes to its shape and dimensions due to air humidity is a natural process. Therefore, board specifications are only valid at the time of purchase.

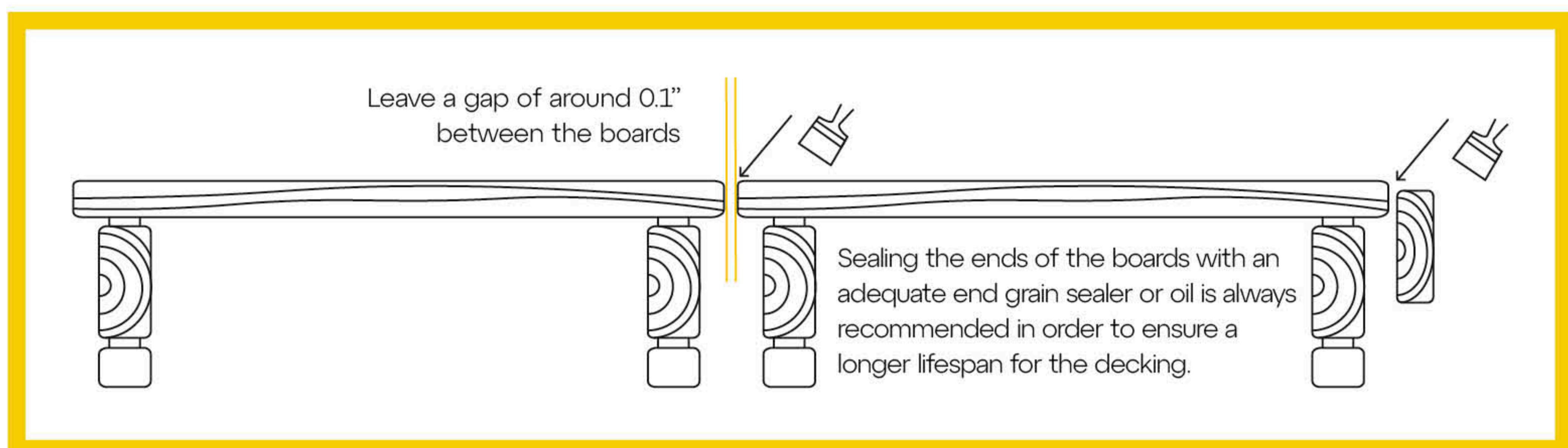


Fig. 02

3.

Installation with Screws

- Always use stainless-steel screws for the installation **TIMBRA** by **GWP** decking boards.
- When installing Excellence Selection, pre-drilling is required to avoid possible cracking. Countersinking the pre-drilled hole is a must. The pilot hole should be 0.4" larger in diameter than the screw to allow for necessary board movement and prevent shear stress on screws.
- We recommend using spacers to elevate decking boards from joists, creating an air gap of 0.24" - 0.32" between the decking and joists.

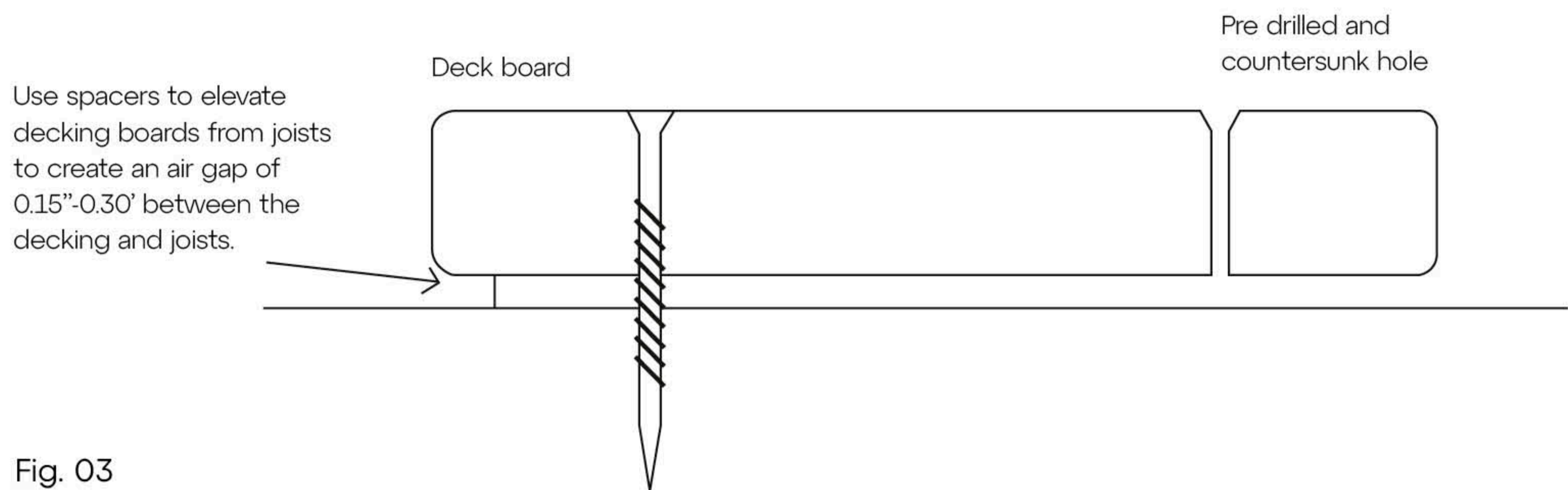


Fig. 03

- **IMPORTANT:** The screw heads should not penetrate too deeply into the wood. They should sit snugly and be roughly leveled with the wood surface to reduce the risk of water absorption. Driving the screw too deep can split the decking board and strip the fiber off the wooden joist, causing the board to fracture around the screw head and result for example in squeaking.

- When screwing through the face of the boards, leave a distance of approximately 0.8" from the edges and at least 1.4" from the ends to avoid splitting.

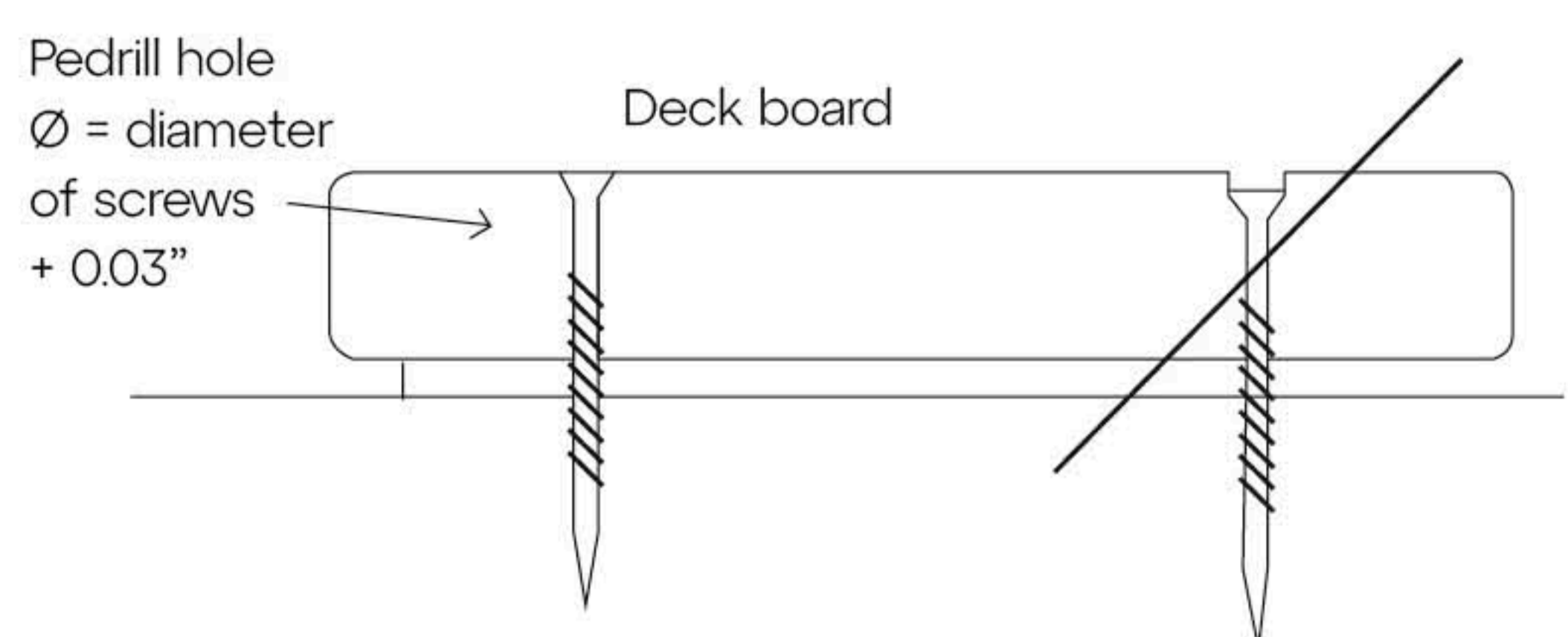


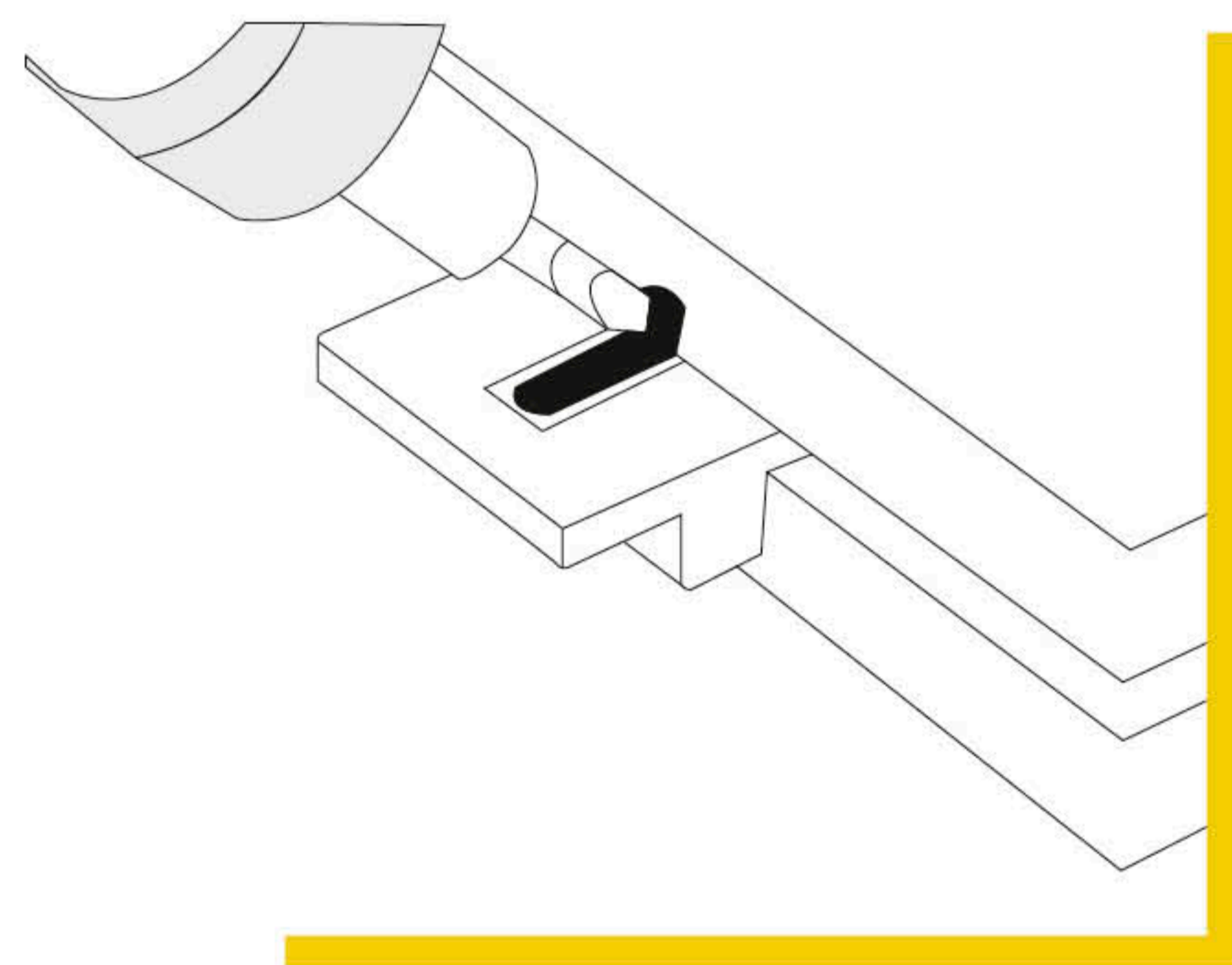
Fig. 04

4.

Installation Systems for Hidden Fixing

- All hidden installation system clips must be screwed at every joist to prevent damage to boards due to excessive span.
- Pre-drill and then face-screw the outside edges of the first and last decking boards using stainless-steel screws.
- We recommend using spacers or distance strips under the clips to provide additional ventilation beneath the boards.
- Cover the top of the joists with UV-resistant decking tape to avoid moisture damage.

- Insert one clip fastener into the slot or groove of the deck board above each joist. When two boards meet on a single joist, only one fastener is needed. Pre-drill a 0.13" pilot hole at a 45° angle for each screw when installing clip fasteners into decking. Pre-drilling should be done through the wood, not into the joist. This avoids splintering and ensures the decking is pulled tight to the joist by the screw.

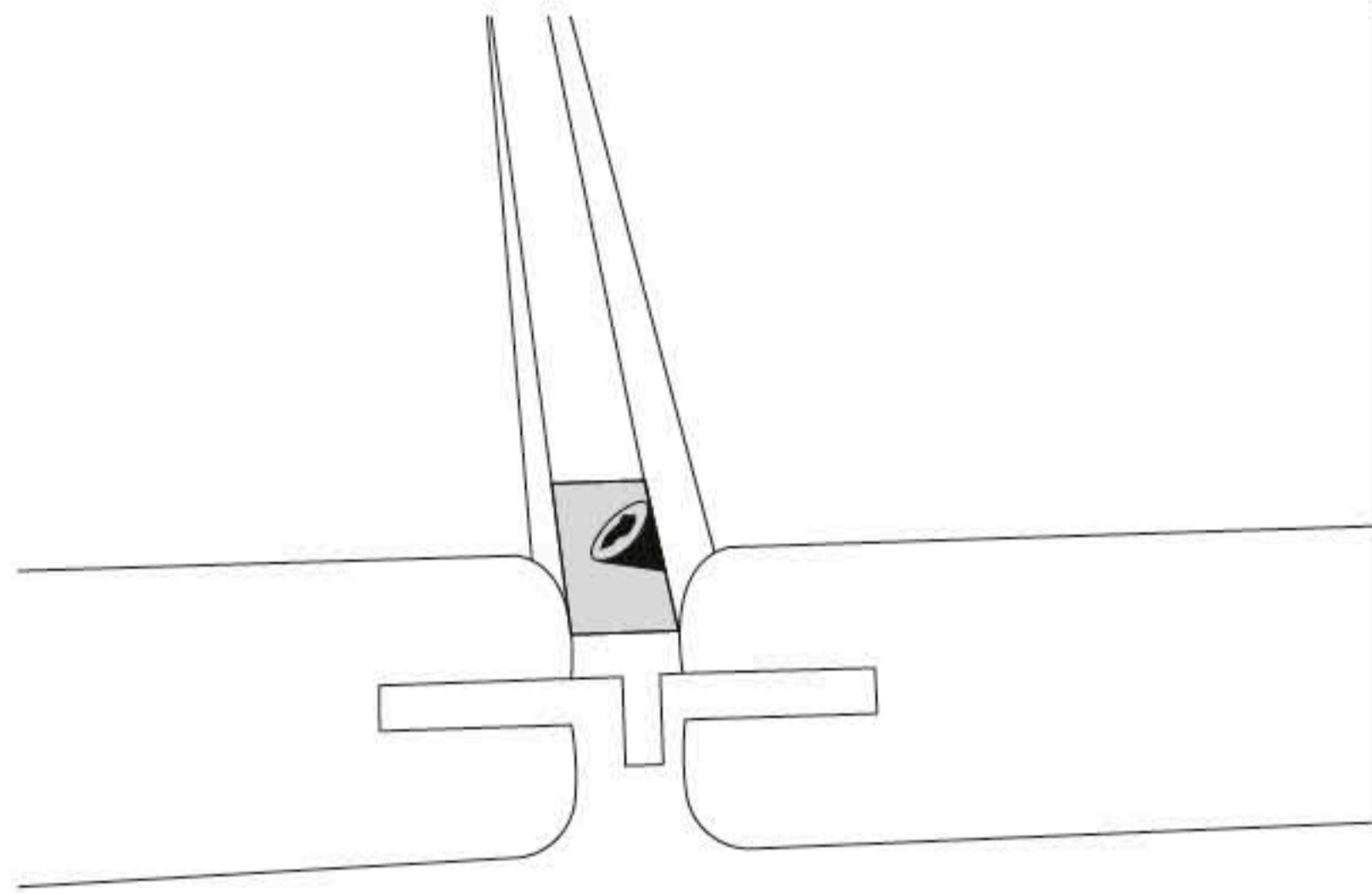


Predrill a pilot hole

Fig. 05

- Run a stainless-steel screw at approximately a 45° angle through the hole in the center of the clip, through the pre-drilled deck board, and into the joist. It should not take much downward pressure to tighten the deck board. Once the board is snug to the joist, install another fastener clip over the next one. Secure each board using one fastener and one screw per joist. Ensure adequate spacing between the decking boards.

- Slide the next deck board onto the installed clip fastener protruding from the previous board. The next board will have clip hidden fasteners installed on the opposite edge for fastening. Ensure even spacing along the parallel boards.



Installing the next board over the exposed side of the clip

Fig. 06

- On the last decking board, fastening clips will not be used, and it will be necessary to fasten the outside edge with face screws every 16”.

5.

DeckWise® Compatibility and Performance



The **TIMBRA by GWP** Excellence line has been rigorously tested and certified in combination with DeckWise® products.

Recommended Installation Systems

To ensure satisfactory performance under conditions of use, the following DeckWise® components are recommended:

- Hidden Fixing Systems: usage of clips and screws specifically designed for DeckWise® decking.
- Wood Protection: DeckWise® WiseCoat® wood protection system.

This combination of solutions ensures a cohesive, durable decking system with proven long-term performance.

6.

Installation Click System Powered by GRAD®

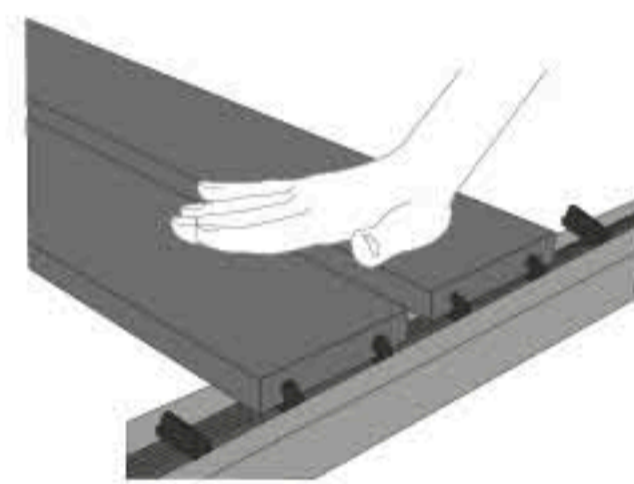


TIMBRA by GWP products combine high-quality thermally modified products with the unique Grad® installation system. This hidden fastening solution is designed for quick and easy installation. TIMBRA by GWP boards have grooves on the underside that perfectly fit Grad® clips or aluminium rails with pre-mounted Grad® clips. As a result, there are no visible screw heads. The boards are simply pressed and clicked into place.

The Advance and Excellence product lines are tested and approved. Please refer to our Product Profile Guide to check the available profiles and dimensions.



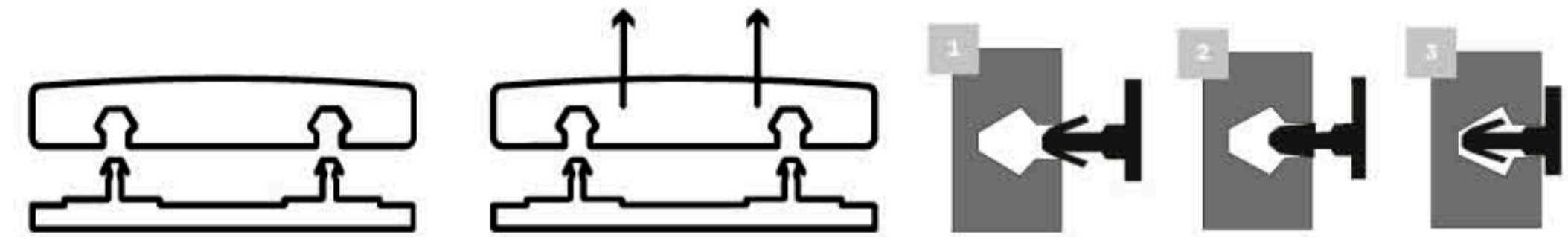
Easy Installation



Just Press and Click



Grad Simple Click



The boards click into place when depressed and it's done.

More Information: www.grad-system.com

7.

Final Considerations and Best Practices

After installing your decking, it's important to keep the surface free of leaves/needles, and other moisture-retaining debris that can promote premature decay. The correct installation and maintenance practices are important for a beautiful and long-lasting deck. Ensure local building codes and regulations are met. Please carefully follow the requirements in this guide and remember that wood is a natural material that will always react to external conditions. For more information, please refer to our our Maintenance Guide.

8.

Warranty

TIMBRA by GWP products are covered under a limited 20-year Warranty. This **TIMBRA by GWP** warranty is made: to the original purchaser of the product(s); the original owner of the structure on which the product(s) are installed; and to the next owner of that structure. **TIMBRA by GWP's** express warranties that are not transferable to any subsequent owners of the structure. **TIMBRA by GWP** warrants that the product(s) will remain free from significant fungal degradation, buckling, structural failure, separating, and rupturing for a period of 20 years from the date the installation is completed. This warranty applies when the product(s) have been stored, handled, applied, finished, and maintained in accordance with **TIMBRA by GWP's** installation, application, finishing, and maintenance instructions in effect at the time of application. Colour and applied finishes are not covered under warranty. These warranties apply only to above-ground installations made in compliance with the instructions. Be sure to consult the full product warranty for specific questions.